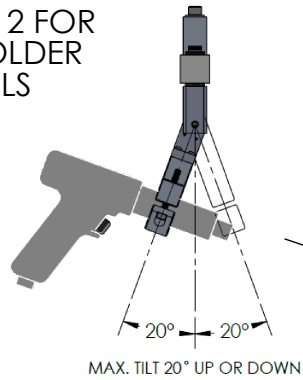
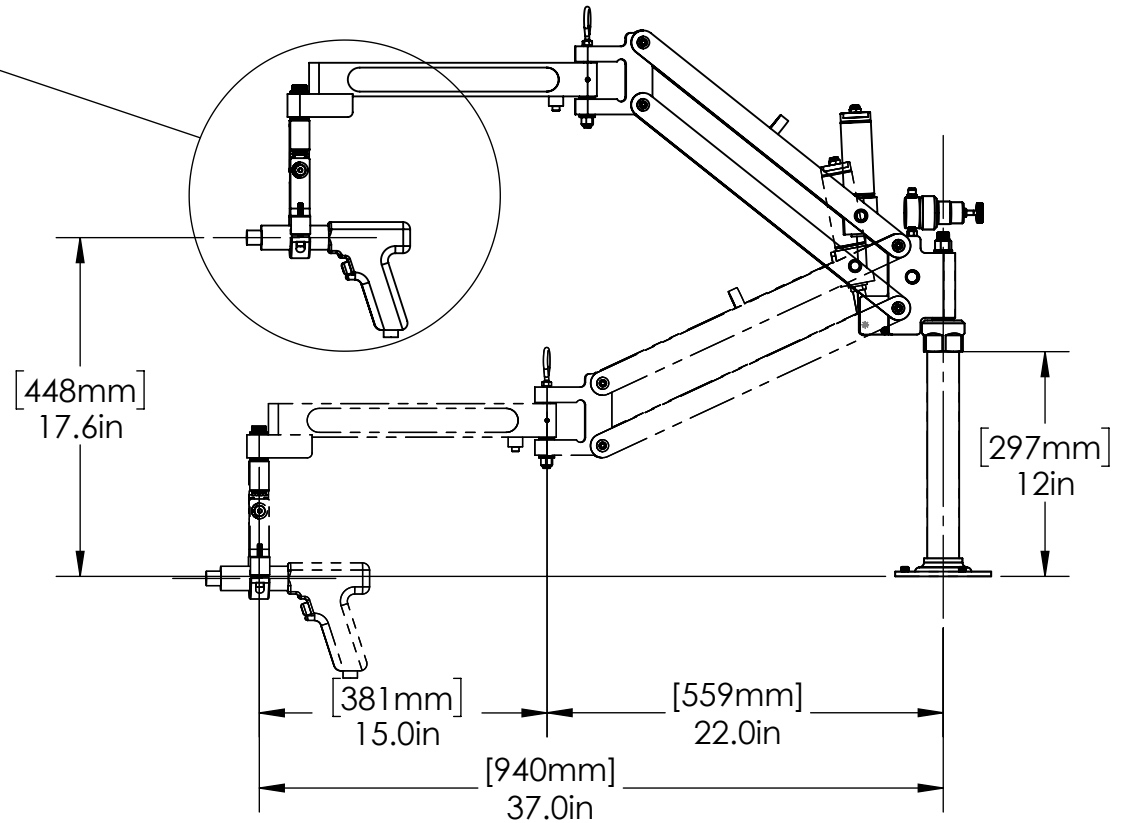
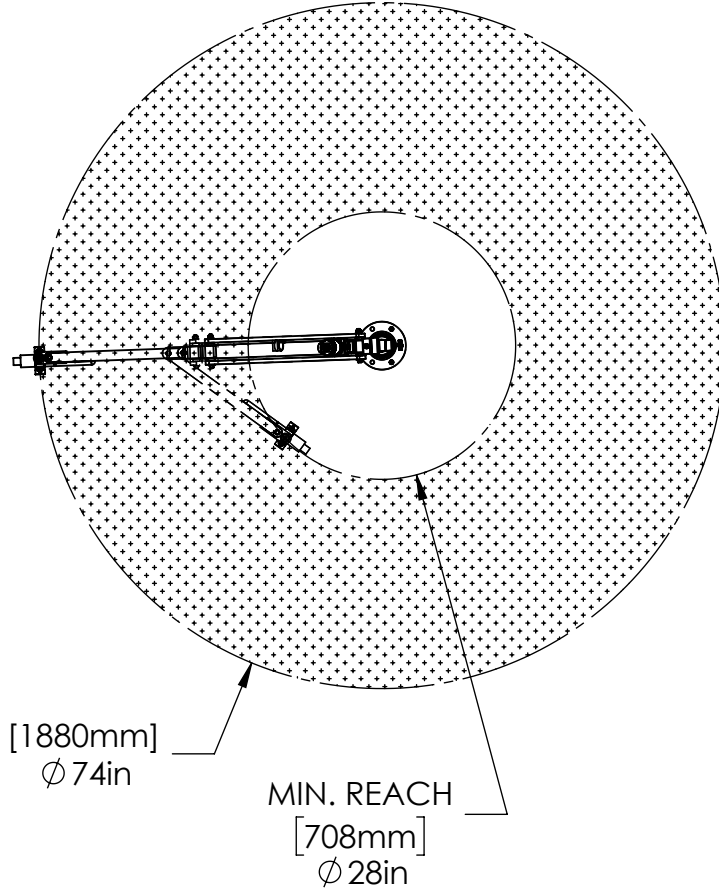


SEE PAGE 2 FOR
TOOL-HOLDER
DETAILS



WORK AREA



MODEL#: EL815-PT

TOOL HOLDER INCLUDED, PT-TH

For HORIZONTAL Fastening with customer's Electric In-line or Pistol Tool. Allows 20° degrees tilting.

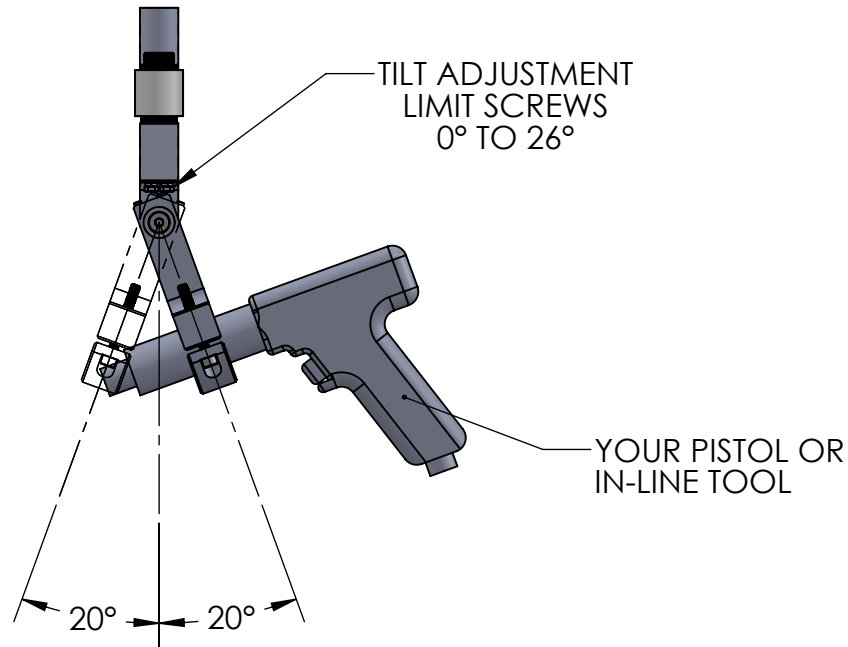
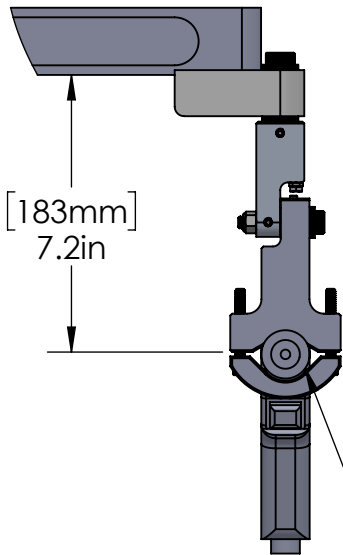
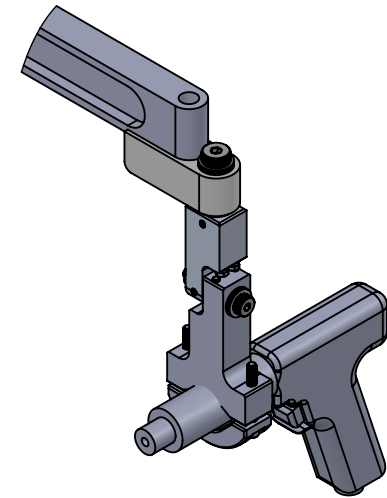
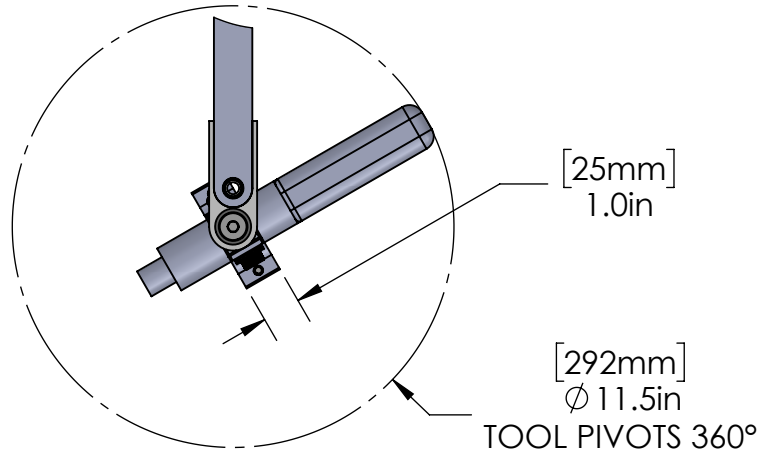
MAX TORQUE: 400 in-lbs (45 N-m)

MAX. TOOLING WEIGHT: 13.8 LBS (6.2 KG)

COPYRIGHT © 2018 ERGONOMIC TOOL ARMS, LLC

www.toolarms.com

ETA
Ergonomic Tool Arms, LLC



MINIMUM TOOL DIA:
1-1/8" (28.6mm)
MAXIMUM TOOL DIA:
2.0" (50.8mm)

www.toolarms.com

Ergonomic Tool Arms, LLC

MODEL#: PT-TH

PISTOL TILT TOOL HOLDER

FOR HORIZONTAL FASTENING, ALLOWS
TILTING ±20°

COPYRIGHT © 2018 ERGONOMIC TOOL ARMS, LLC