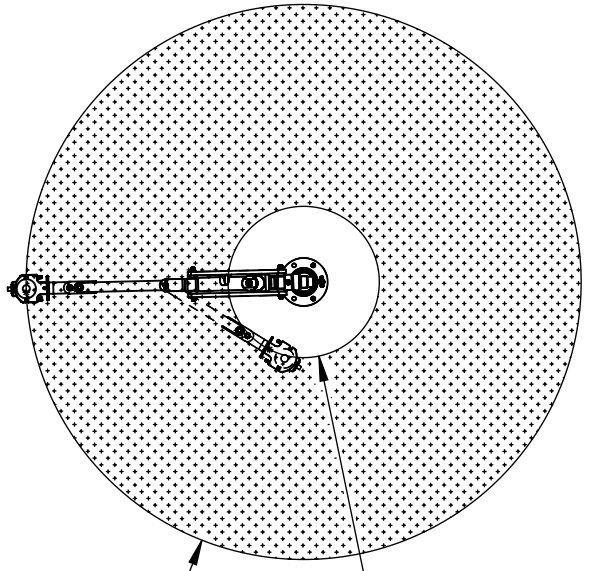


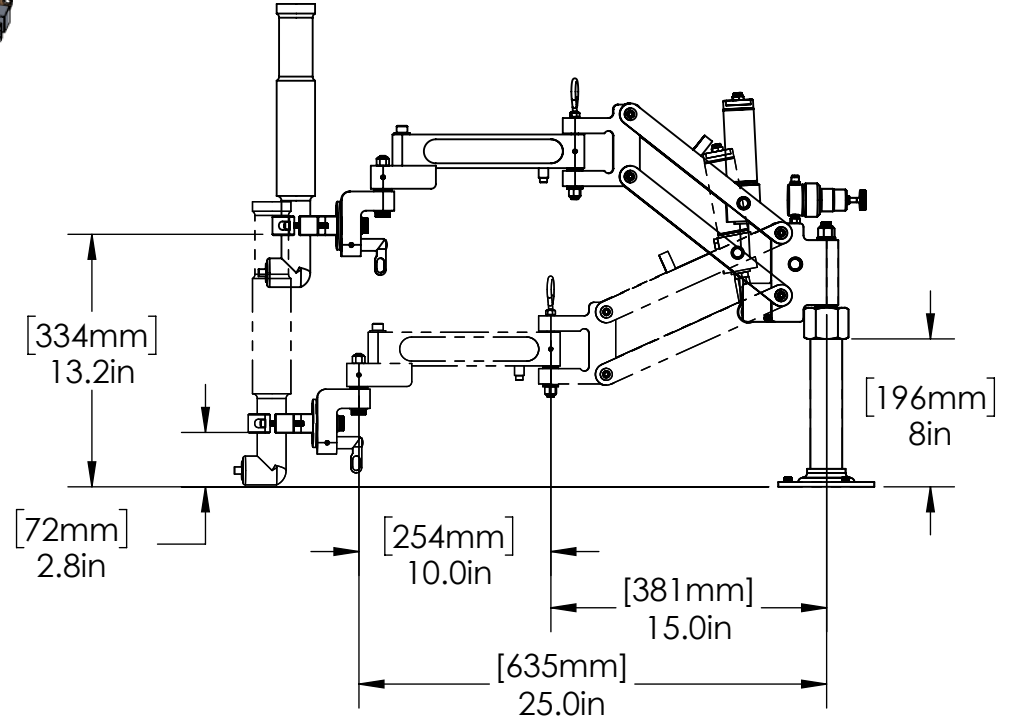
SEE PAGE 2 FOR  
TOOL-HOLDER  
DETAILS

WORK AREA



[1235mm]  
Ø 50in

MIN. REACH  
[400mm]  
Ø 16in



MODEL#: PA315-RAH

TOOL HOLDER RAH-TH INCLUDED

A shortened version of PA815-RAH with less reach for tighter spaces. For HORIZONTAL Fastening with customer's Right Angle Air Tool

MAX TORQUE: 400 in-lbs (45 N-m)

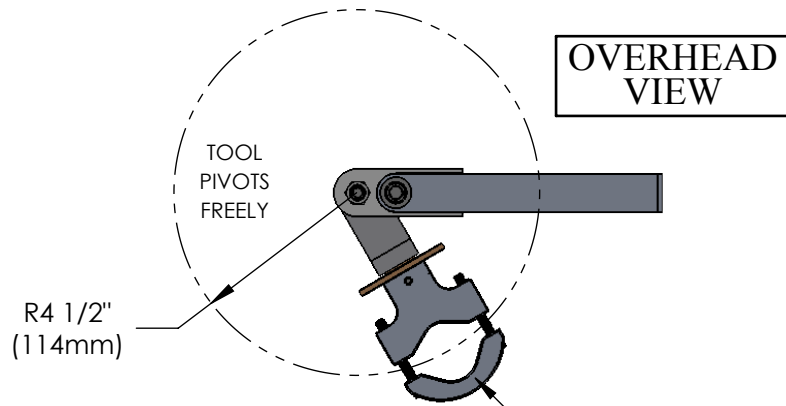
MAX. TOOLING WEIGHT: 11.25 lbs (5.1 kg)

COPYRIGHT © 2018 ERGONOMIC TOOL ARMS, LLC

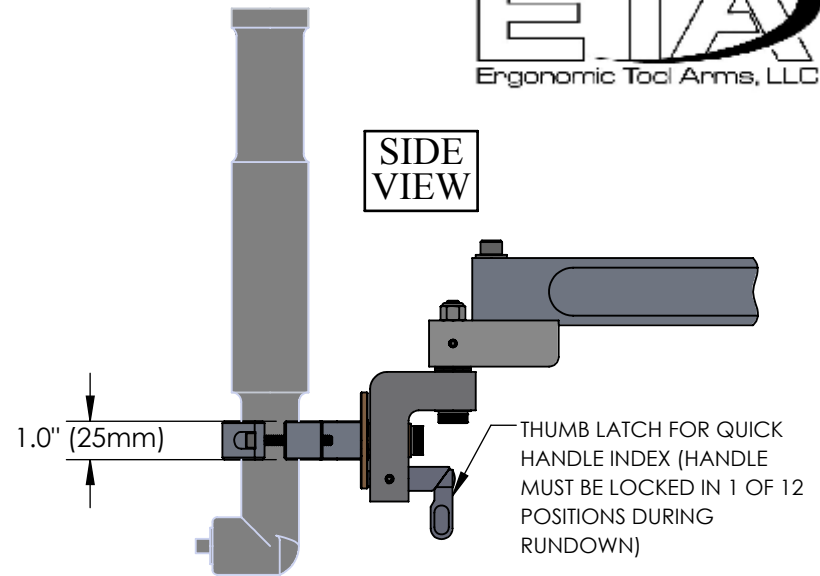
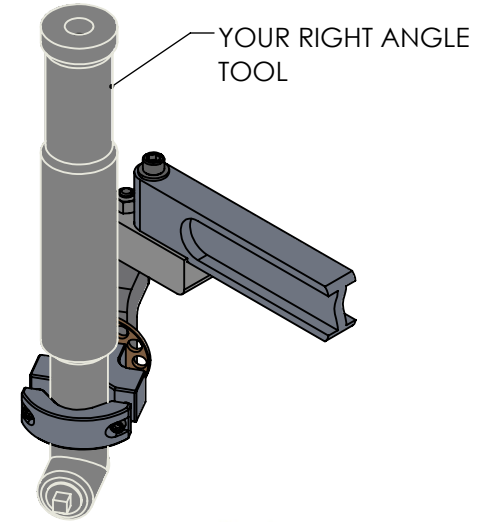
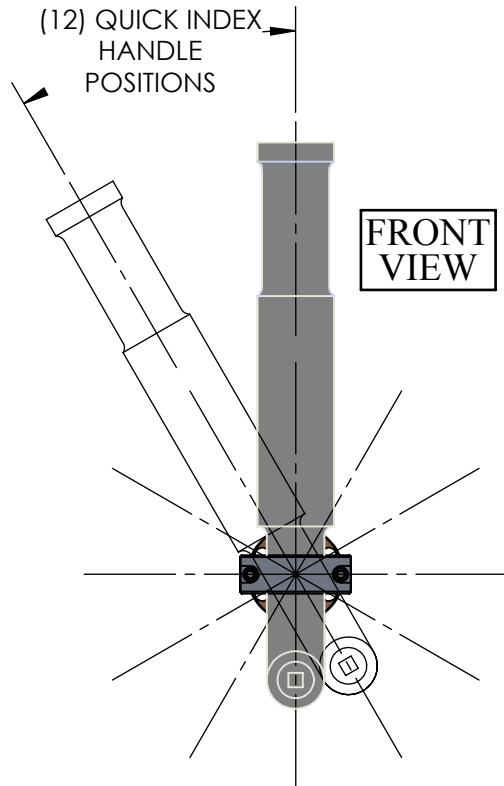
www.toolarms.com



Ergonomic Tool Arms, LLC



MINIMUM TOOL DIAMETER:  
1-1/8" (28.6mm)  
MAXIMUM TOOL DIAMETER:  
2.0" (50.8mm)



Model **RAH-TH**  
**Right Angle Horizontal Tool Holder**  
FOR HORIZONTAL FASTENING

COPYRIGHT © 2017 ERGONOMIC TOOL ARMS, LLC

THIS DRAWING CONTAINS CONFIDENTIAL INFORMATION, IS THE PROPERTY OF ERGONOMIC TOOL ARMS, LLC AND IS GIVEN TO THE RECEIVER IN CONFIDENCE. THE RECEIVER BY RECEPTION AND RETENTION OF THIS DRAWING, ACCEPTS THE DRAWING IN CONFIDENCE AND AGREES THAT IT WILL NOT USE THE DRAWING OR A COPY THEREOF OR THE CONFIDENTIAL INFORMATION IT CONTAINS FOR THE PURPOSES OTHER THAN THAT INSTRUCTED BY ERGONOMIC TOOL ARMS, LLC, EITHER WRITTEN OR IMPLIED. THE RECEIVER AGREES, BY ACCEPTANCE AND RETENTION TO BE HELD LIABLE FOR MISUSE OF THIS DRAWING OR THE INFORMATION IT CONTAINS.