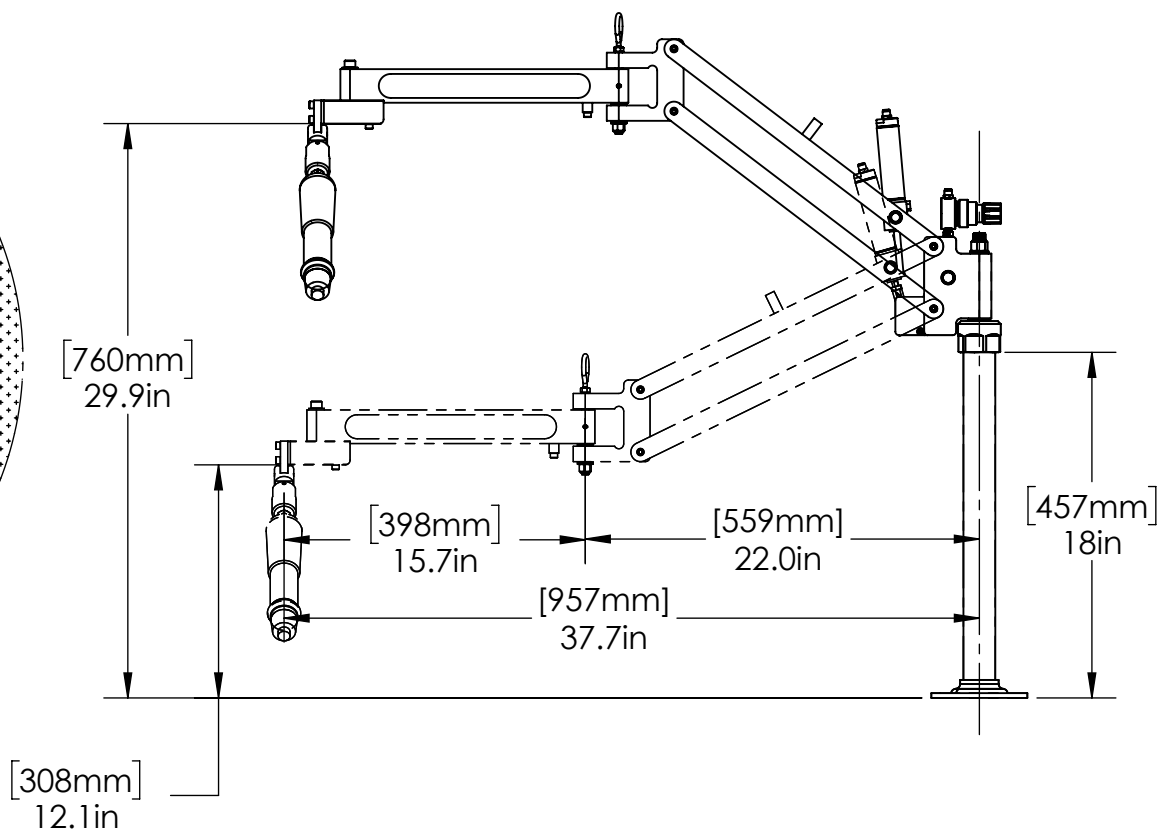
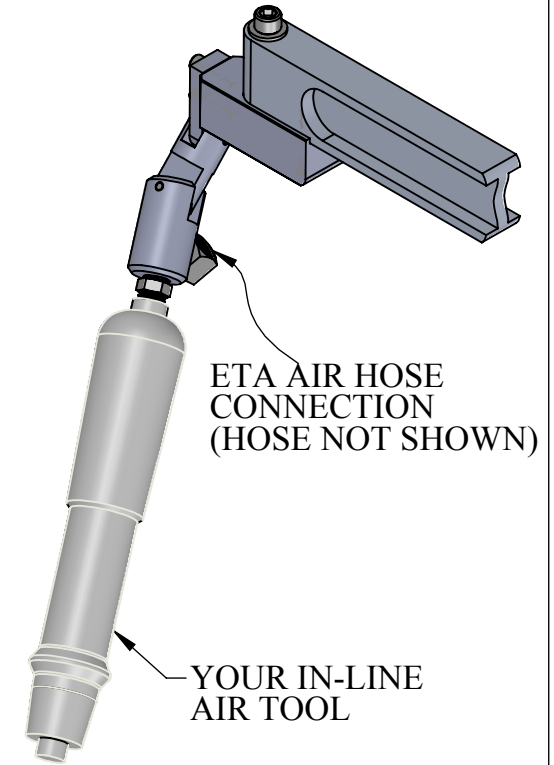
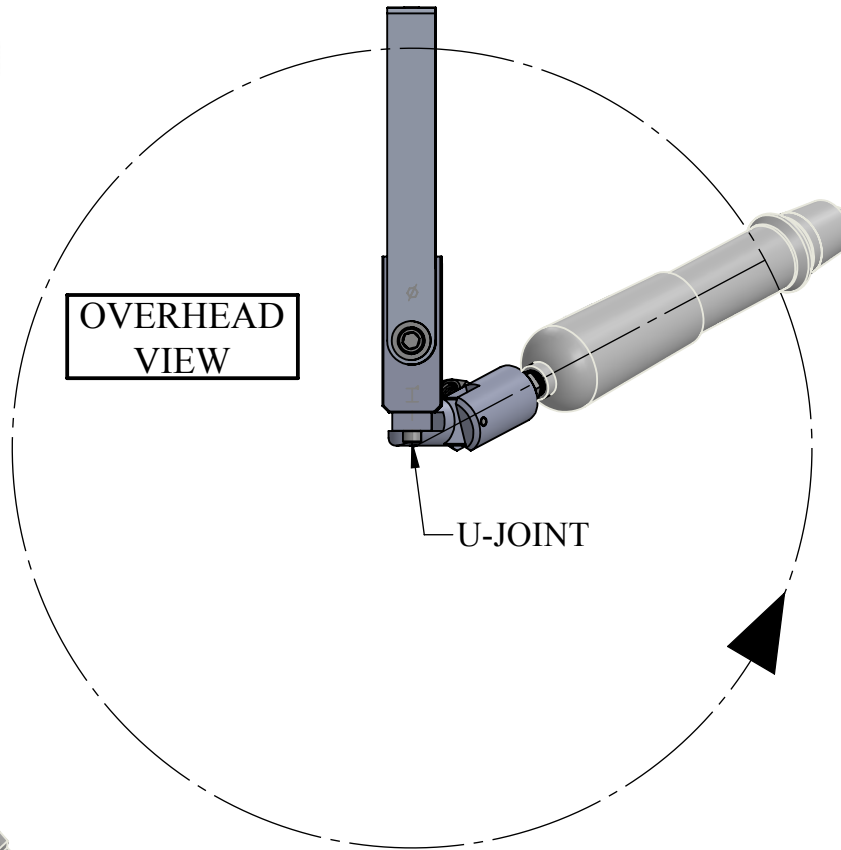
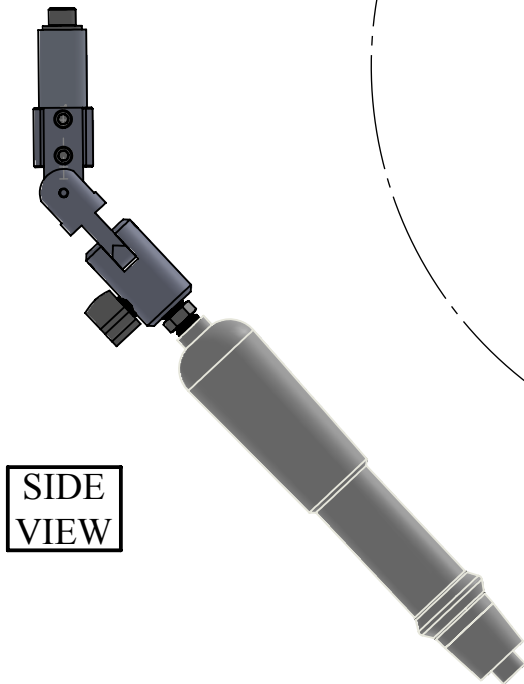
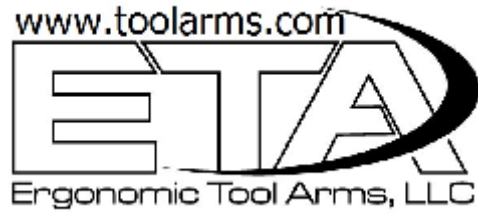


TOOL SUPPLY HOSE  
NOT SHOWN



MODEL#: PA506-SW
For Fastening with customer's In-line air tool at varying angles from VERTICAL - 1/4 Male NPT Connection - 5/16" ID Tool Supply Hose
MAX TORQUE: 550 in-lbs (62 N-m)
MAX. TOOLING WEIGHT: 6 lbs (2.7kg)
COPYRIGHT © 2018 ERGONOMIC TOOL ARMS, LLC

SW-TH



COPYRIGHT © 2017 ERGONOMIC TOOL ARMS, LLC

Model **SW-TH**  
**SW**ivel Tool Holder  
 FOR DRIVING FASTENERS ON ANY ANGLE OFF OF VERTICAL

THIS DRAWING CONTAINS CONFIDENTIAL INFORMATION, IS THE PROPERTY OF ERGONOMIC TOOL ARMS, LLC AND IS GIVEN TO THE RECEIVER IN CONFIDENCE. THE RECEIVER BY RECEPTION AND RETENTION OF THIS DRAWING, ACCEPTS THE DRAWING IN CONFIDENCE AND AGREES THAT IT WILL NOT USE THE DRAWING OR A COPY THEREOF OR THE CONFIDENTIAL INFORMATION IT CONTAINS FOR THE PURPOSES OTHER THAN THAT INSTRUCTED BY ERGONOMIC TOOL ARMS, LLC, EITHER WRITTEN OR IMPLIED. THE RECEIVER AGREES, BY ACCEPTANCE AND RETENTION TO BE HELD LIABLE FOR MISUSE OF THIS DRAWING OR THE INFORMATION IT CONTAINS.