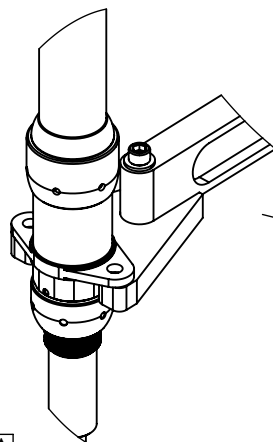
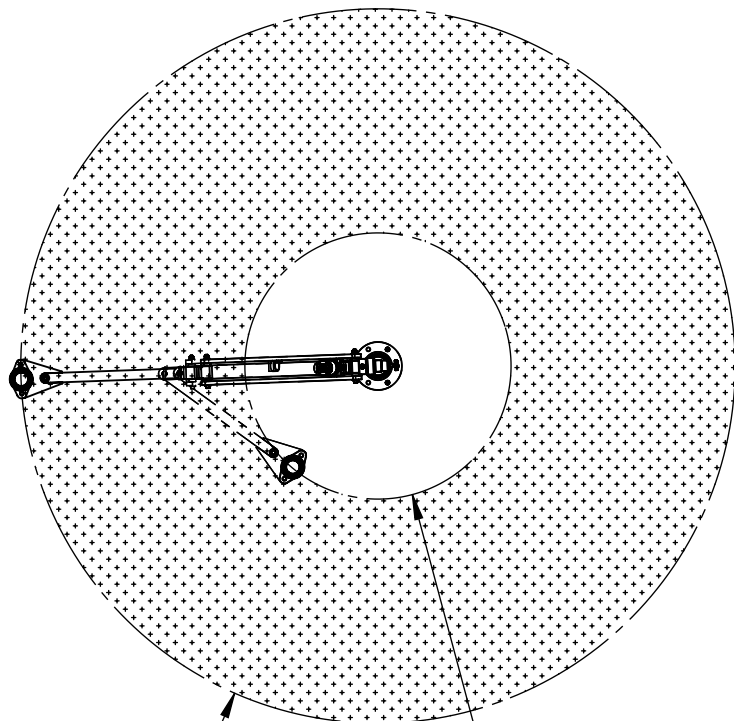


SEE PAGE 2 FOR
TOOL-HOLDER
DETAILS

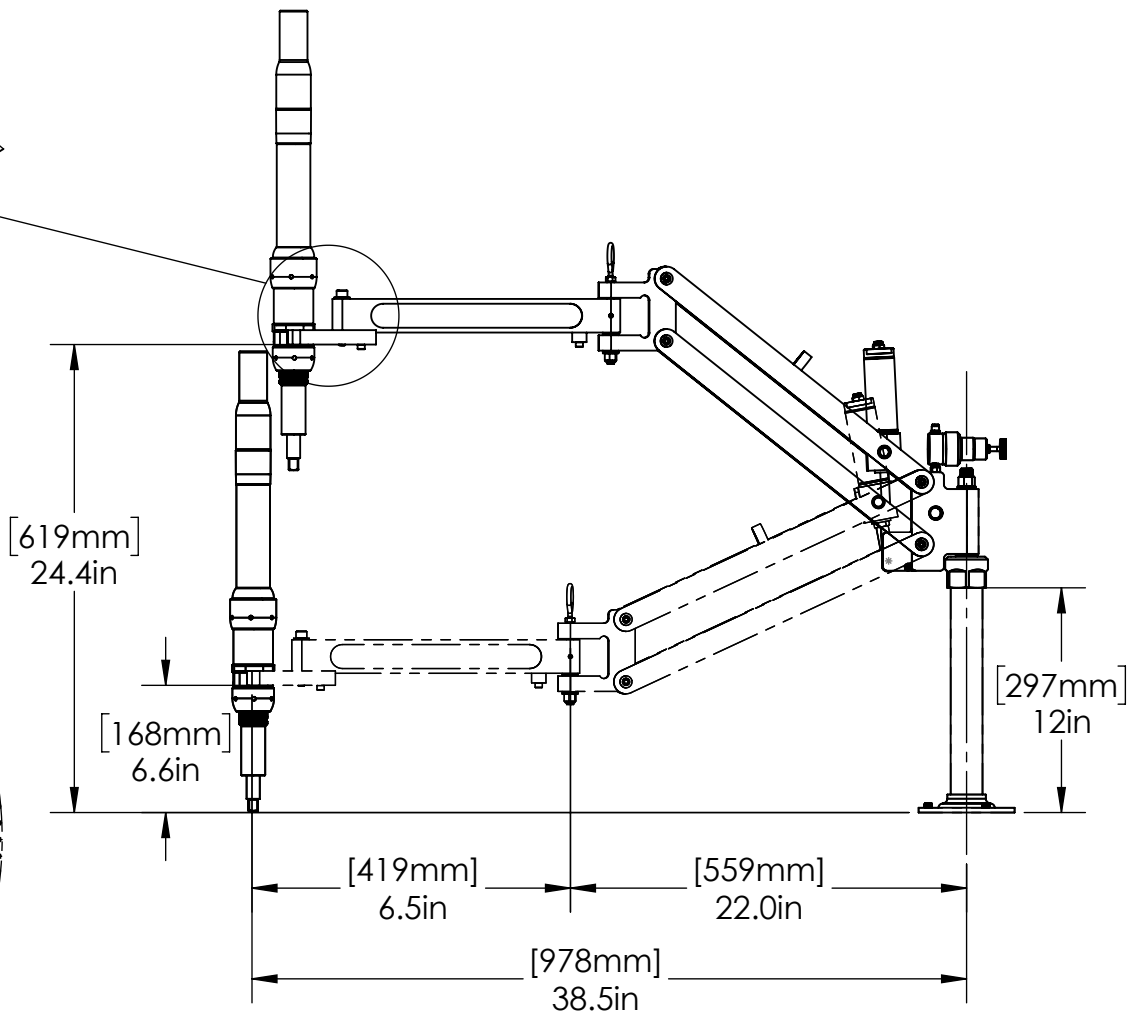


WORK AREA



[1956mm]
Ø 77in

MIN. REACH
[704mm]
Ø 28in



www.toolarms.com



MODEL#: PA815-QA8

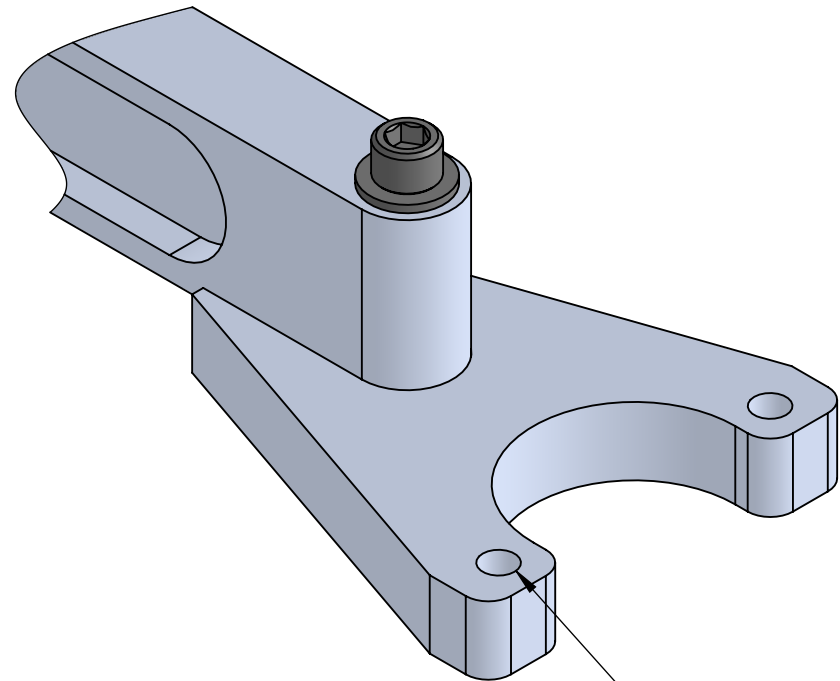
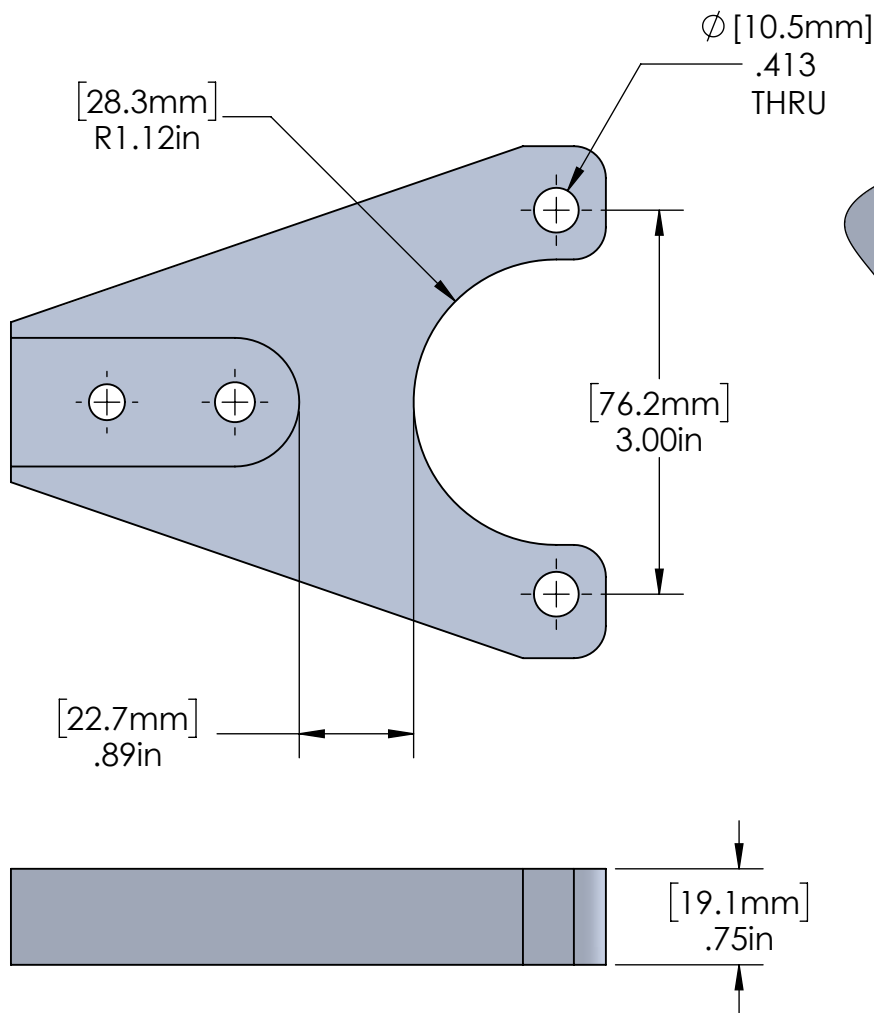
TOOL HOLDER INCLUDED, QA8-TH

For VERTICAL Fastening with Ingersoll-Rand QA8 In-line Flange Mount Air Tools having mounting holes 3.0" (76.2mm) on center. Tool body clearance is 2.23" (56.64mm) dia below the mounting flange.

MAX TORQUE: 800 in-lbs (90 N-m)

MAX. TOOLING WEIGHT: 14 LBS (6.3 KG)

COPYRIGHT © 2018 ERGONOMIC TOOL ARMS, LLC



CUSTOMER'S FLANGED
TOOL MOUNTS HERE

www.toolarms.com

ETA
Ergonomic Tool Arms, LLC

MODEL#: QE8-TH

Vertical Holder for Ingersoll-Rand QE8 and QA8 In-line tools with 2 bolt mounting flange

COPYRIGHT © 2018 ERGONOMIC TOOL ARMS, LLC