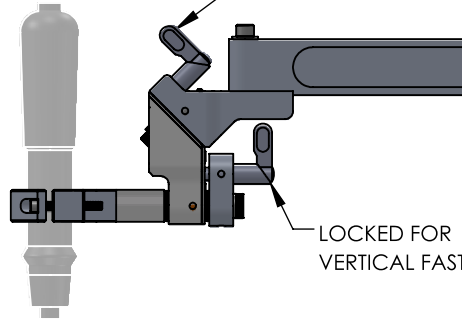


THUMB LATCHES

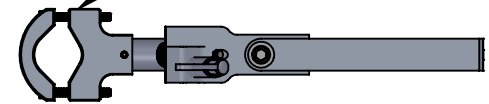
LOCKED (EXCEPTED WHEN SWITCHING FROM HORZ. TO VERT.)



LOCKED FOR VERTICAL FASTENING

SIDE VIEW
VERTICAL POSITION

MINIMUM TOOL DIAMETER:
1-1/8" (28.6mm)
MAXIMUM TOOL DIAMETER:
2.0" (50.8mm)

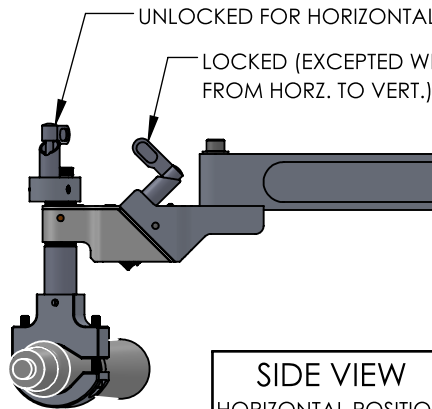
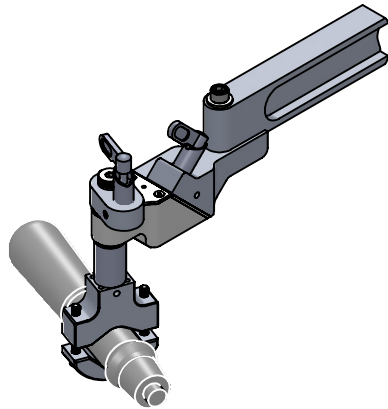


OVERHEAD VIEW
VERTICAL POSITION

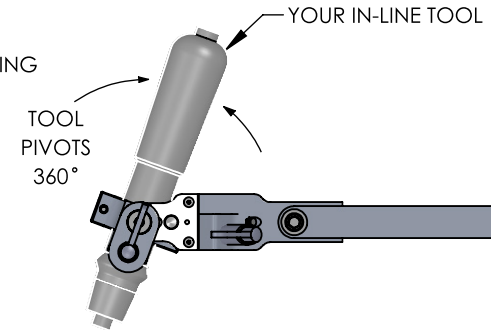
THUMB LATCHES

UNLOCKED FOR HORIZONTAL FASTENING

LOCKED (EXCEPTED WHEN SWITCHING FROM HORZ. TO VERT.)



SIDE VIEW
HORIZONTAL POSITION



OVERHEAD VIEW
HORIZONTAL POSITION

YOUR IN-LINE TOOL
TOOL PIVOTS 360°

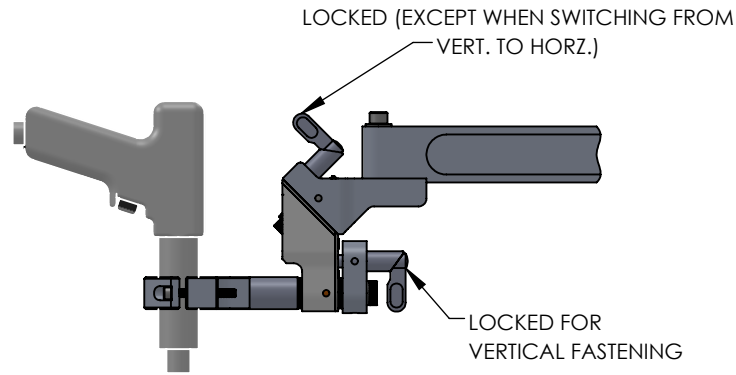
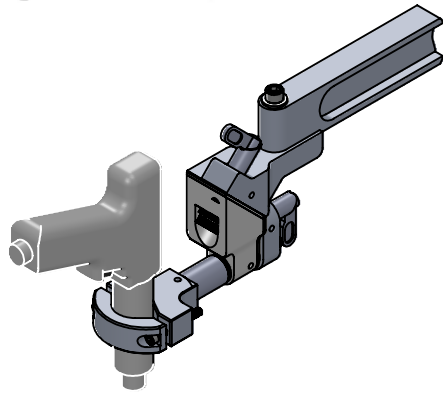
COPYRIGHT © 2017 ERGONOMIC TOOL ARMS, LLC

Model **IPHV-TH**
In-Line or Pistol Horizontal & Vertical Tool Holder
FOR HORIZONTAL & VERTICAL FASTENING WITH SAME ARM

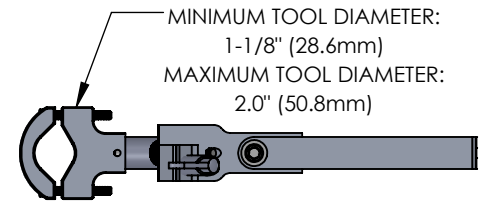
THIS DRAWING CONTAINS CONFIDENTIAL INFORMATION, IS THE PROPERTY OF ERGONOMIC TOOL ARMS, LLC AND IS GIVEN TO THE RECEIVER IN CONFIDENCE. THE RECEIVER BY RECEPTION AND RETENTION OF THIS DRAWING, ACCEPTS THE DRAWING IN CONFIDENCE AND AGREES THAT IT WILL NOT USE THE DRAWING OR A COPY THEREOF OR THE CONFIDENTIAL INFORMATION IT CONTAINS FOR THE PURPOSES OTHER THAN THAT INSTRUCTED BY ERGONOMIC TOOL ARMS, LLC, EITHER WRITTEN OR IMPLIED. THE RECEIVER AGREES, BY ACCEPTANCE AND RETENTION TO BE HELD LIABLE FOR MISUSE OF THIS DRAWING OR THE INFORMATION IT CONTAINS.



THUMB LATCHES

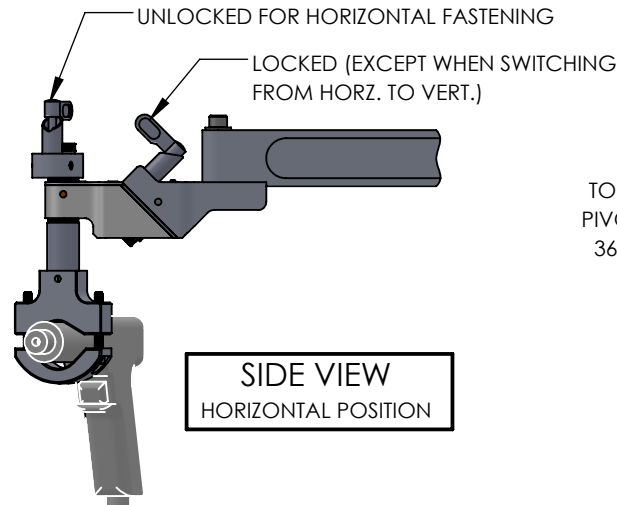
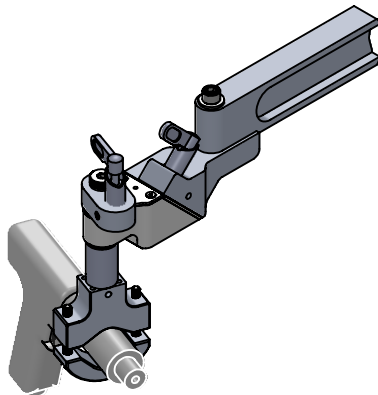


SIDE VIEW
VERTICAL POSITION

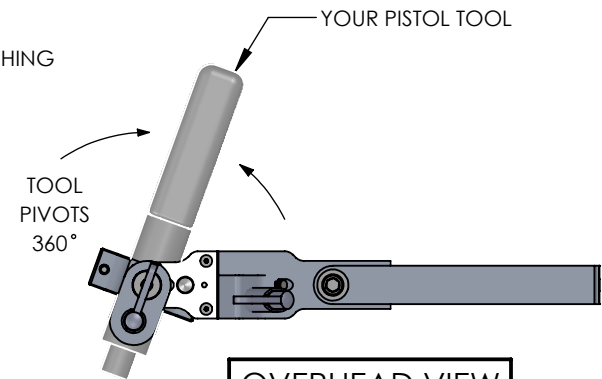


OVERHEAD VIEW
VERTICAL POSITION

THUMB LATCHES



SIDE VIEW
HORIZONTAL POSITION



OVERHEAD VIEW
HORIZONTAL POSITION

COPYRIGHT © 2017 ERGONOMIC TOOL ARMS, LLC

Model **IPHV-TH**
In-Line or Pistol Horizontal & Vertical Tool Holder
 FOR HORIZONTAL & VERTICAL FASTENING WITH SAME ARM

THIS DRAWING CONTAINS CONFIDENTIAL INFORMATION, IS THE PROPERTY OF ERGONOMIC TOOL ARMS, LLC AND IS GIVEN TO THE RECEIVER IN CONFIDENCE. THE RECEIVER BY RECEPTION AND RETENTION OF THIS DRAWING, ACCEPTS THE DRAWING IN CONFIDENCE AND AGREES THAT IT WILL NOT USE THE DRAWING OR A COPY THEREOF OR THE CONFIDENTIAL INFORMATION IT CONTAINS FOR THE PURPOSES OTHER THAN THAT INSTRUCTED BY ERGONOMIC TOOL ARMS, LLC, EITHER WRITTEN OR IMPLIED. THE RECEIVER AGREES, BY ACCEPTANCE AND RETENTION TO BE HELD LIABLE FOR MISUSE OF THIS DRAWING OR THE INFORMATION IT CONTAINS.