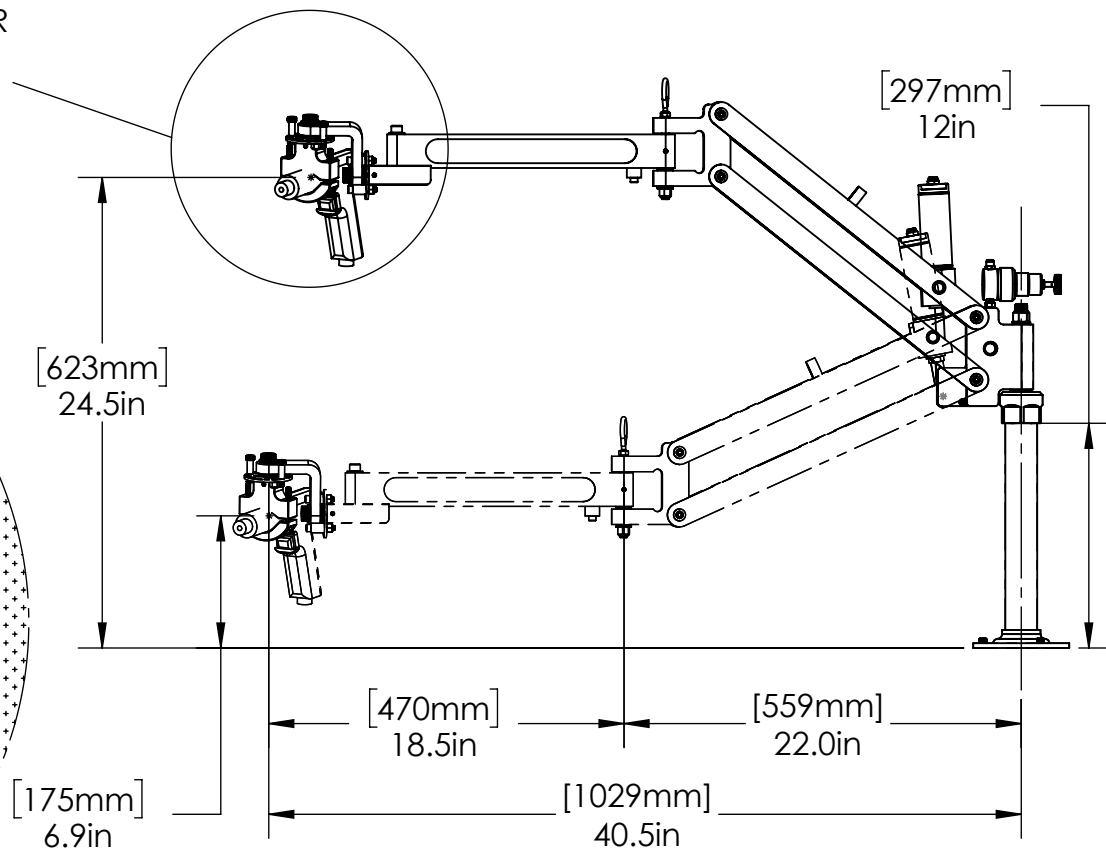
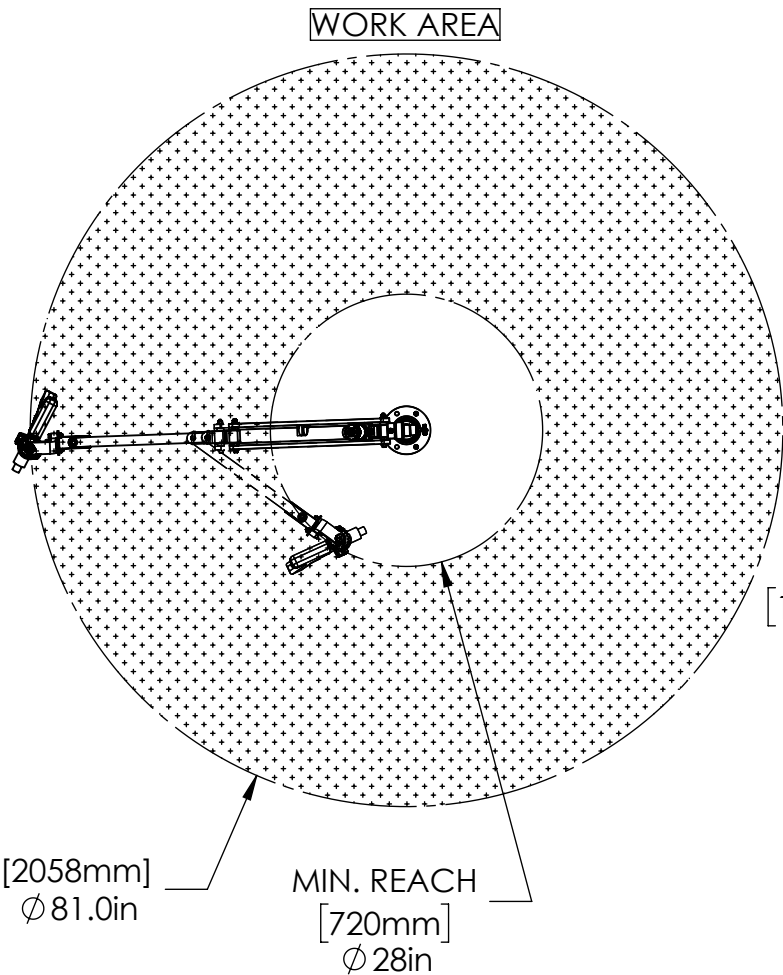


SEE PAGE 2 FOR  
TOOL-HOLDER  
DETAILS



www.toolarms.com

**ETA**  
Ergonomic Tool Arms, LLC

MODEL#: EL815-FRS

TOOL HOLDER INCLUDED, FRS-TH

For Fastening with customer's Electric In-line or Pistol Tool at any angle, Vertical to Horizontal. Adjustable stops provide rotational restraint.

MAX TORQUE: 400 in-lbs (45 N-m)

MAX. TOOLING WEIGHT: 13.6 LBS (6.1 KG)

COPYRIGHT © 2018 ERGONOMIC TOOL ARMS, LLC

TOOL SWIVELS FREELY ON 2 AXES ENABLING OPERATOR TO FASTEN AT ANY ANGLE WITHOUT FEELING TORQUE REACTION

ROTATIONAL LIMIT STOPS

CUSTOMER'S PISTOL TOOL

CUSTOMER'S INLINE TOOL

MINIMUM TOOL DIAMETER:  
1-1/8" (28.6mm)  
MAXIMUM TOOL DIAMETER:  
2.0" (50.8mm)

[www.toolarms.com](http://www.toolarms.com)



MODEL#: **FRS-TH**

Tool holder with rotational stops on two axes, for pistol or In-line tools.