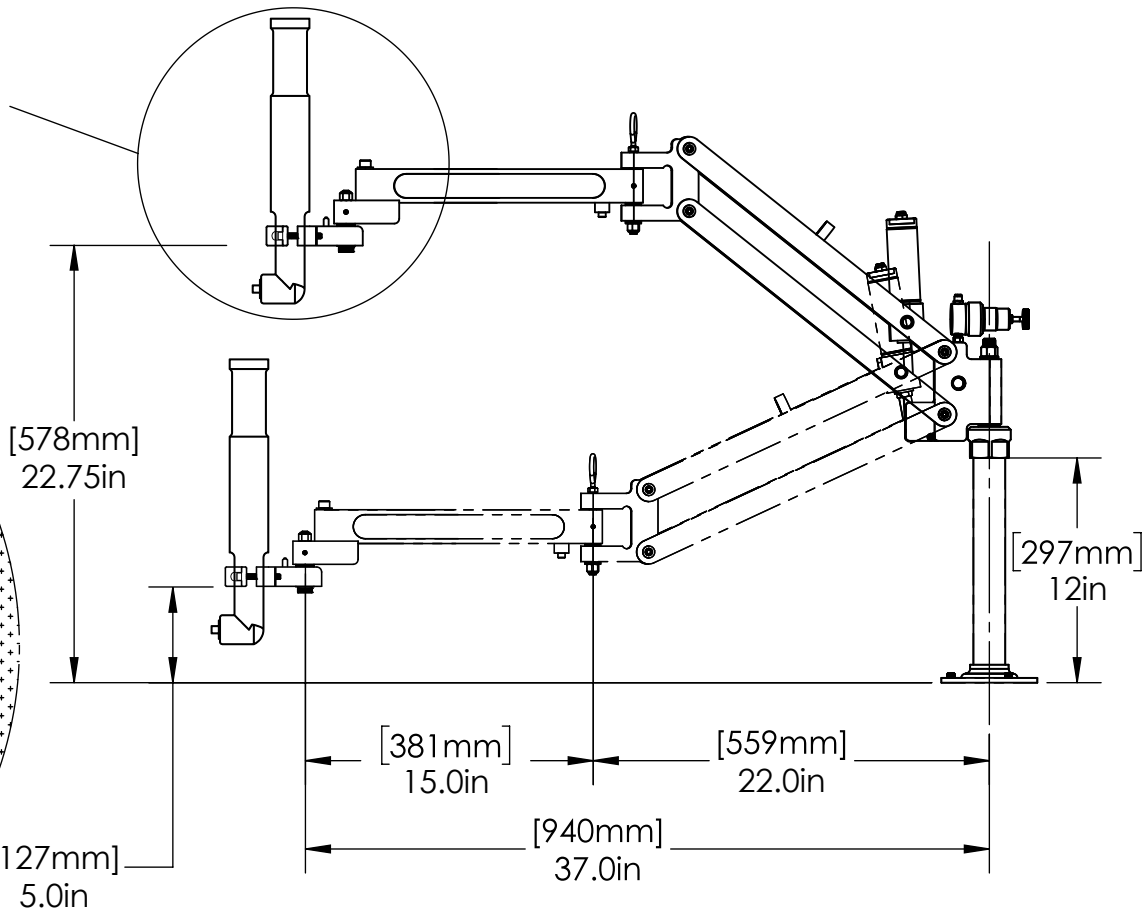
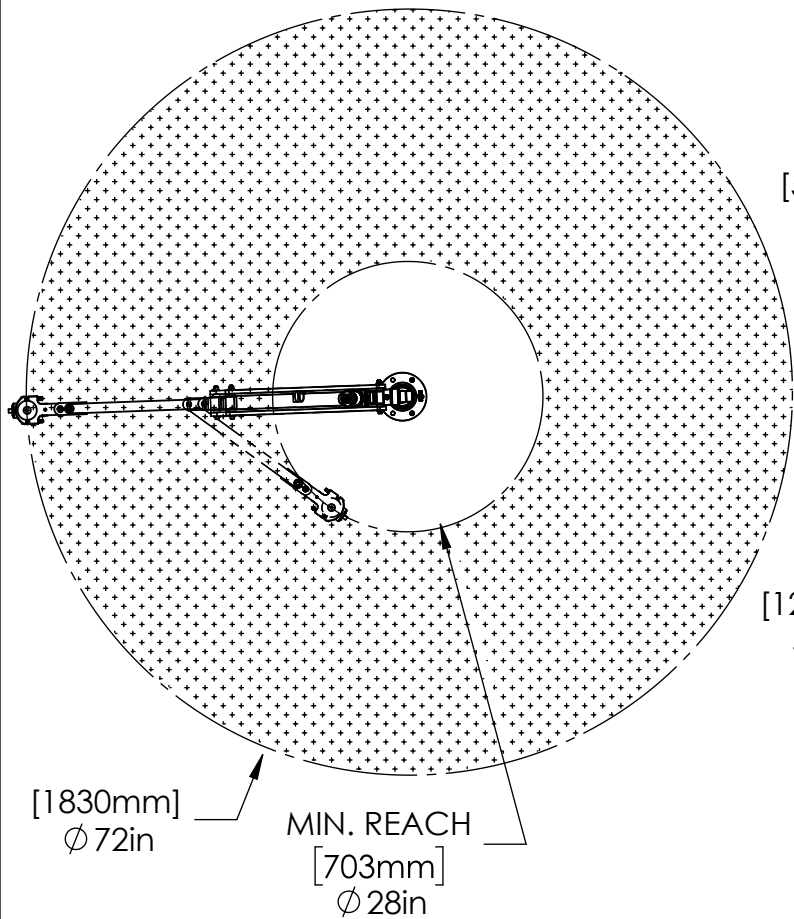


SEE PAGE 2 FOR  
TOOL-HOLDER  
DETAILS

WORK AREA



MODEL#: EL815-SRA

TOOL HOLDER INCLUDED, SRA-TH

For HORIZONTAL Fastening with customer's  
Electric Right Angle Tool.

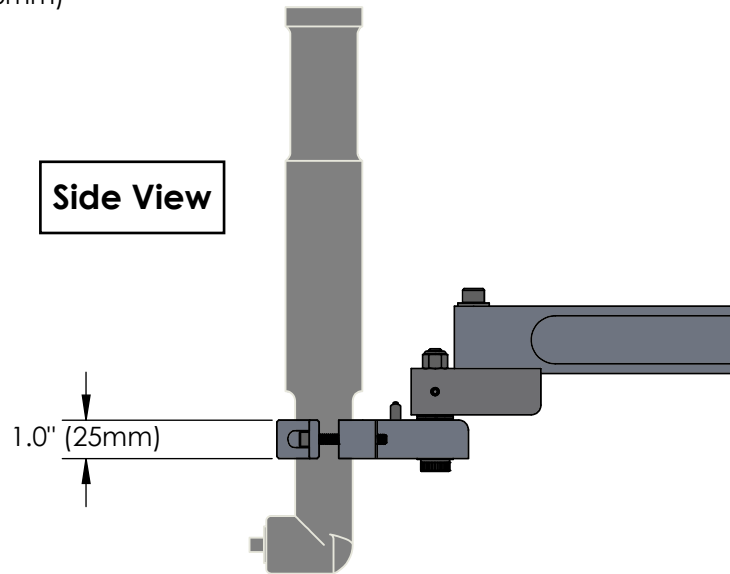
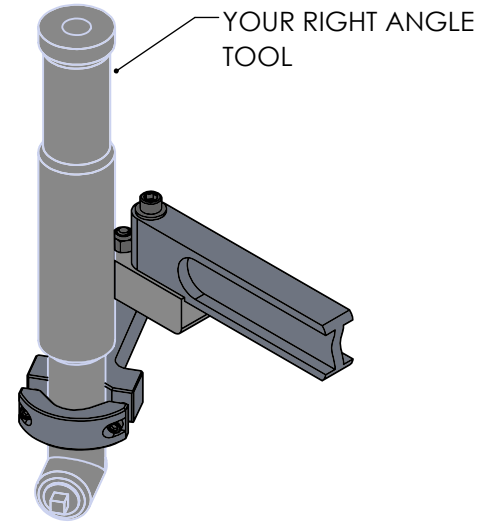
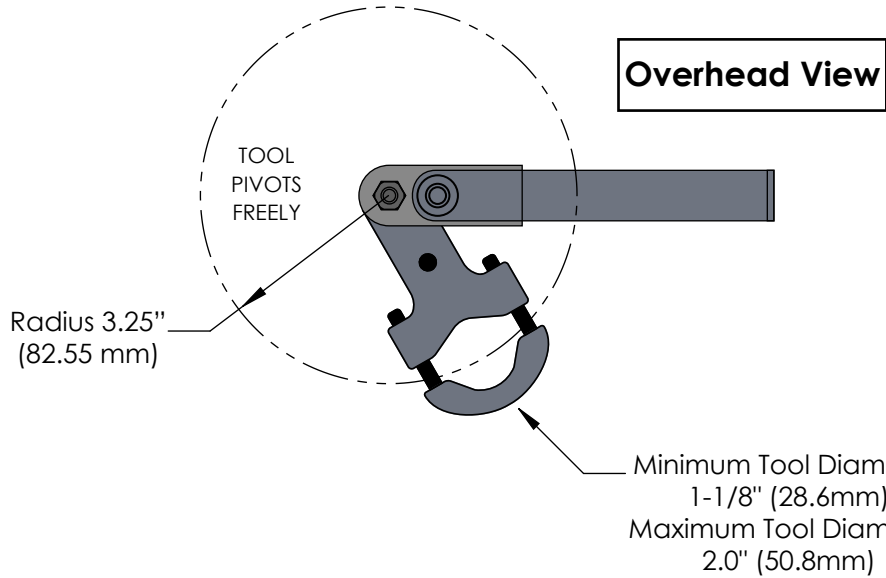
MAX TORQUE: 400 in-lbs (45 Nm)

MAX TOOLING WEIGHT: 13.5 LBS (6.1 KG)

COPYRIGHT © 2023 ERGONOMIC TOOL ARMS, LLC

www.toolarms.com

**ETA**  
Ergonomic Tool Arms, LLC



www.smart-arms.com



Model **SRA-TH** Simple **Right Angle Tool Holder** – For Horizontal Fastening

The SRA holds your right angle tool handle upward and allows it to swing freely 280 degrees for easy axial alignment with your fasteners. The SRA will clamp any tool body diameter from 1 1/8" to 2.0" (28.6 to 50.8mm).